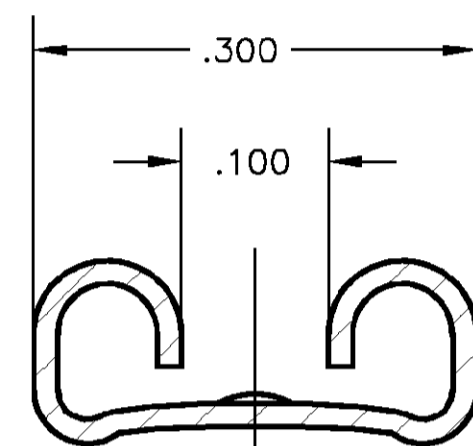
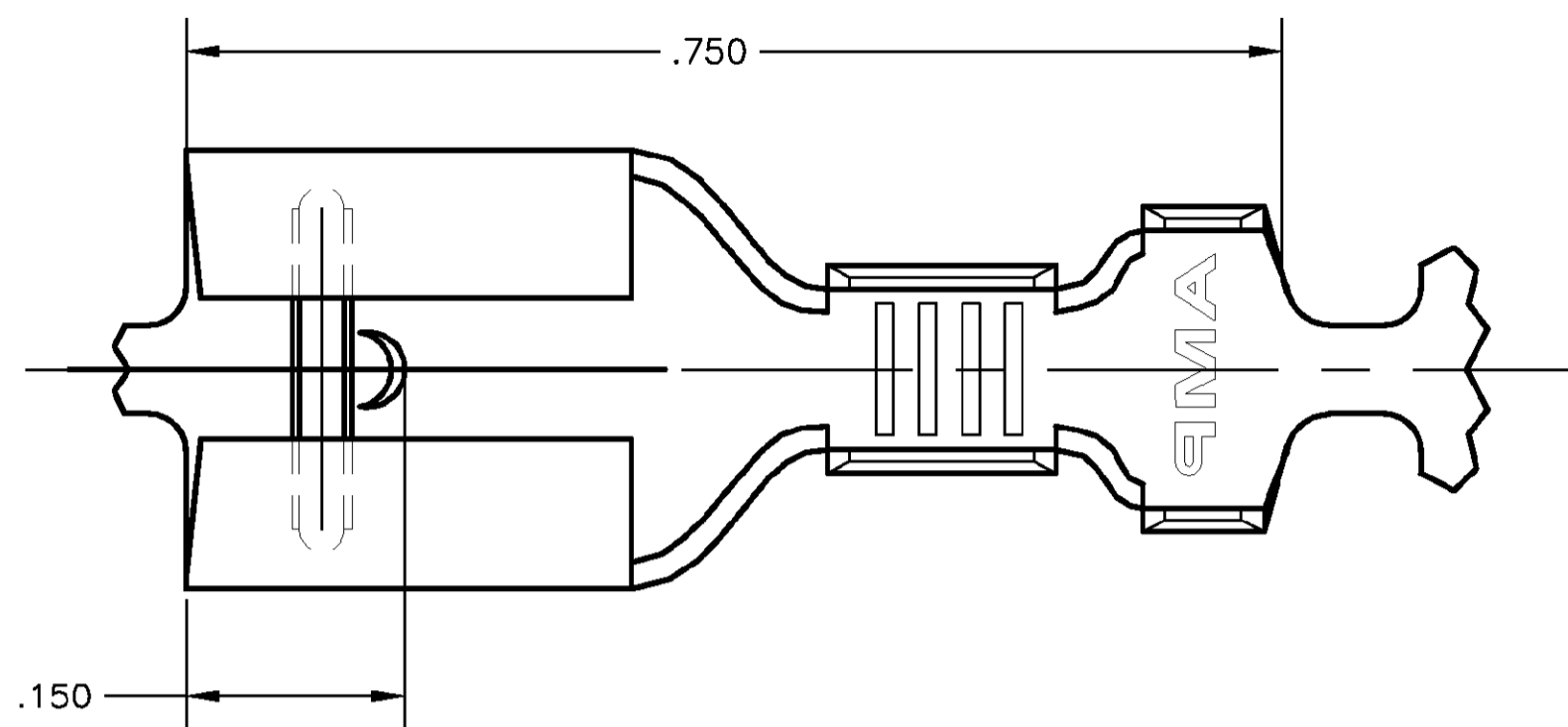


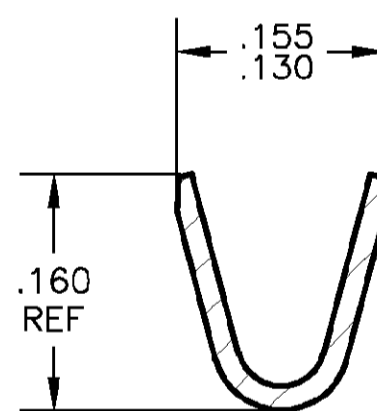
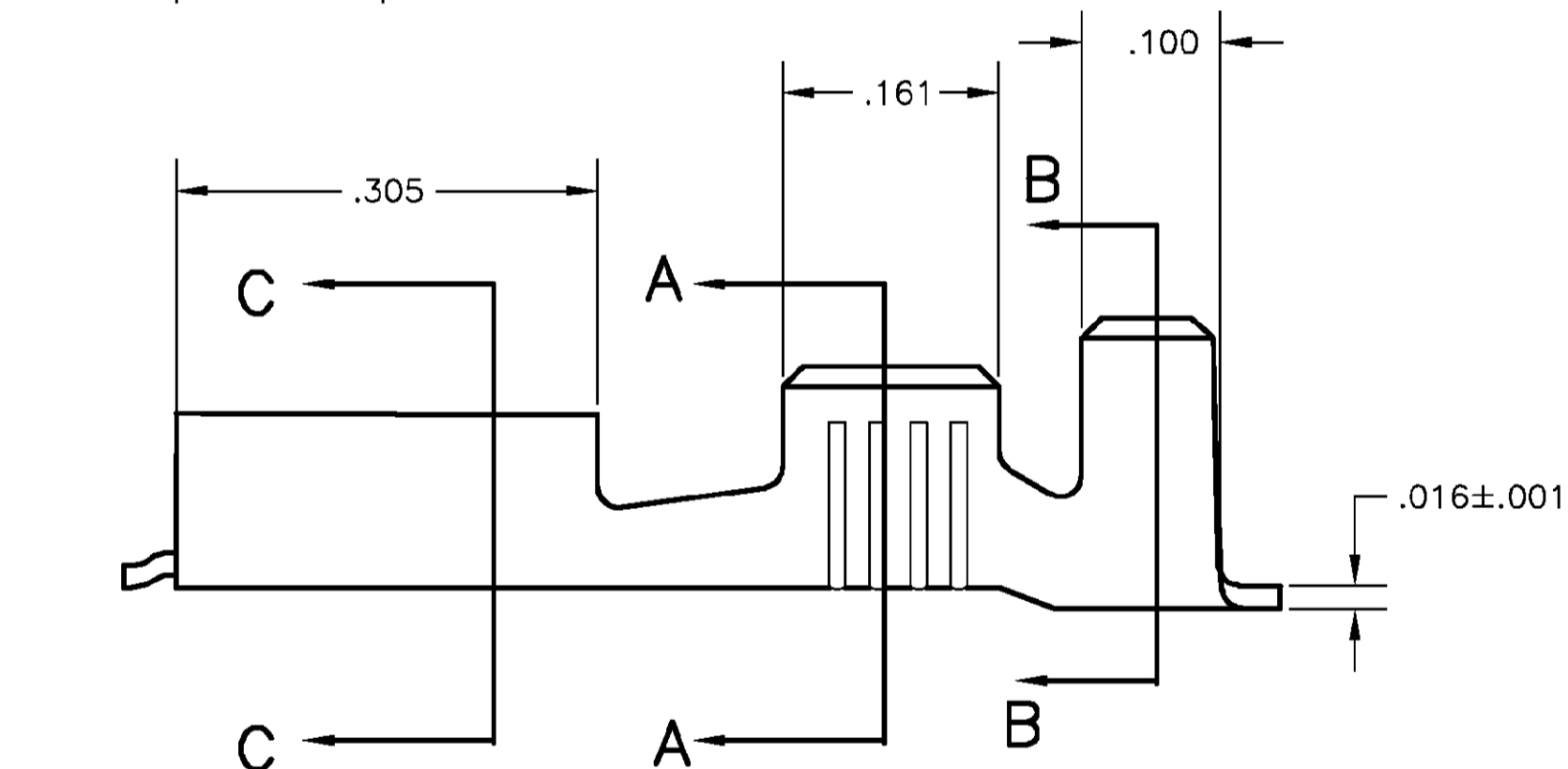
THIS DRAWING IS UNPUBLISHED. RELEASED FOR PUBLICATION
 © COPYRIGHT BY TYCO ELECTRONICS CORPORATION. ALL RIGHTS RESERVED.

LOC	DIST	REVISIONS			
P	LTR	DESCRIPTION	DATE	DWN	APVD
AF	50	K1	REDRAWN IN AC PER 0G3A-0375-02	21JUN02	JR PD

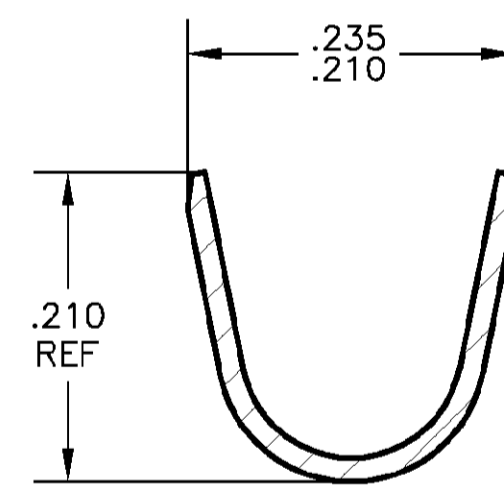
- 1 CONTINUOUS STRIP ON REELS
- 2 ACCEPTS #18-#14 AWG WIRE SIZE
- 3 INSULATION RANGE IS .120-.170 DIA
- 4 MATING TAB THK IS .032±.001.



SECTION C-C



SECTION A-A



SECTION B-B

.000080 MIN TIN	42400-2
-	42400-1
FINISH	PART NO

THIS DRAWING IS A CONTROLLED DOCUMENT.		DWN JR RUTH 21JUN02	Tyco Electronics Corporation Harrisburg, PA 17105	
DIMENSIONS: INCHES		CHK P. DESANTIS 21JUN02	NAME RECEPTACLE, FASTON, .250 SERIES	
TOLERANCES UNLESS OTHERWISE SPECIFIED:		APVD P. DESANTIS 21JUN02	SIZE A2	
0 PLC ± -	1 PLC ± -	PRODUCT SPEC	CAGE CODE 00779	DRAWING NO 42400
2 PLC ± -	3 PLC ± .010	APPLICATION SPEC	RESTRICTED TO	-
4 PLC ± -	ANGLES ± -	WEIGHT	SCALE 8:1	SHEET 1 OF 1
MATERIAL 4M BRASS	FINISH SEE TABLE	CUSTOMER DRAWING	REV K1	